

CAM-S100 Series

Intel Apollo Lake SoC Industrial Smart Camera

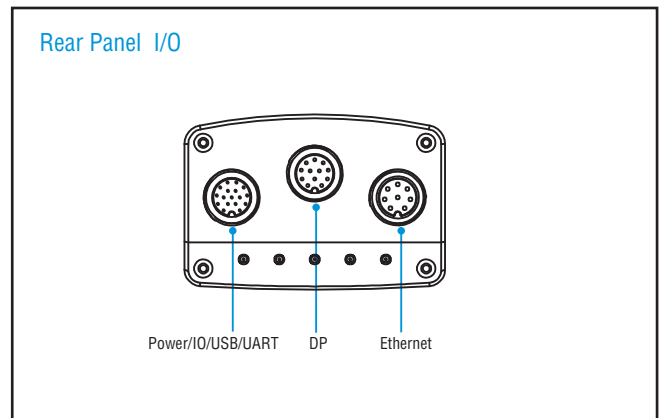
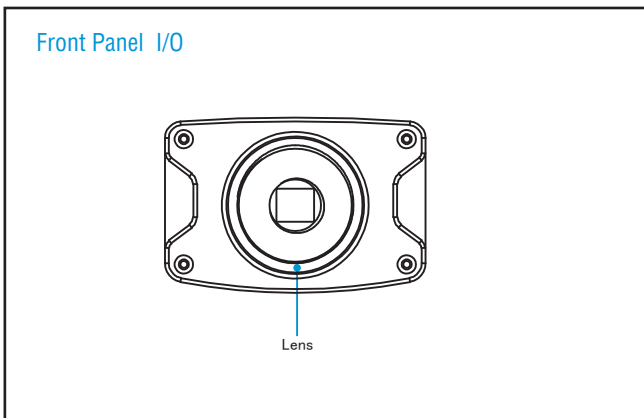
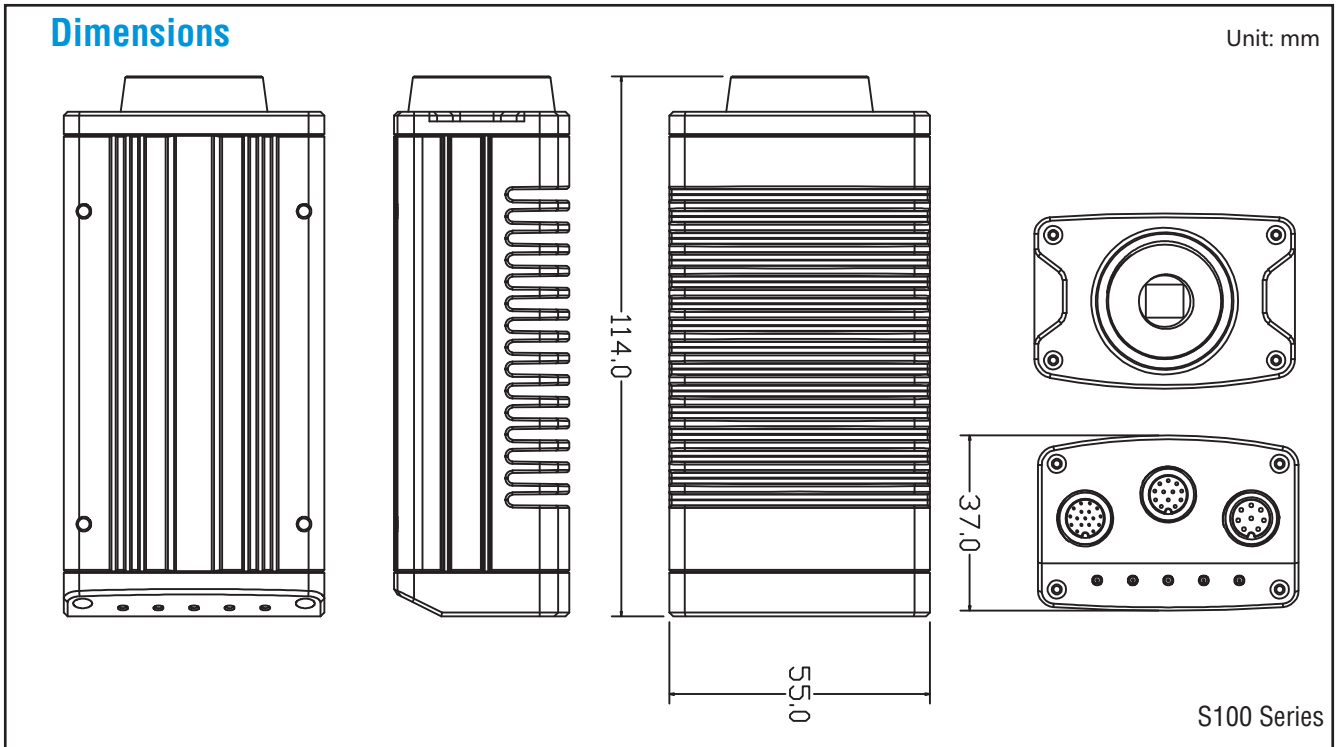


Features

- Intel® Apollo Lake E3930/E3950 SoC
- Global shutter CMOS sensors available
- 1MP 120fps and 5MP 35fps resolution
- IP67-rated housing and M12 connectors
- Advanced image processing support
- Additional GigE Vision slave camera support
- Built-in PWM lighting control
- 2x DIO and USB 2.0 and RS-232 ports
- Open platform for 3rd party software and algorithms

Specifications

		CAM-S100-100	CAM-S100-200
Processor System	CPU	Intel Apollo Lake E3930 Dual Core	Intel Apollo Lake E3950 Quad Core
	Frequency	1.3GHz up to 1.8GHz	1.6GHz up to 2.0GHz
	L2 Cache	2 MB	
	BIOS	AMI 8Mb UEFI BIOS	
Memory	Technology	LPDDR4 Dual Channel	
	Capacity	4GB (up to 8GB)	
	Memory Chip	Memory chips Onboard	
Storage	eMMC	64GB up to 256GB	
Display	DP	Max. 4096 x 2304 @ 60Hz	
Sensor	Image Sensor	IMX264LLR	
	Resolution	Max. 2448 x 2048	
	Sensor Size	2/3"	
	Format	Monochrome	
	pixel size(μm)	3.45μm x 3.45μm	
	Frame Rate(fps)	35.7fps	
	Shutter	Global Shutter	
Pixel(MP)	5MP		
I/O Interface	Trigger Input	1 x opto-isolated trigger input	
	Digital Input	2 x TTL level input	
	Digital Output	2 x sink type output	
	PWM lighting Control	1 x lighting control output	
	Serial Ports	1 x RS232 (TX and RX only)	
	Ethernet	1 x Intel i210 GbE	
	USB2.0	1 x USB2.0	
Power Supply	DC Input	24V DC	
Mechanical	Dimensions	114 x 55 x 37mm (LxWxH)	
	Weight	0.33 Kg	
	Lens mount	C mount or M12 mount	
	Connectors	1 x M12 8-pin (female), 1xM12 17-pin (female), 1x M12 12-pin (female)	
Software Support	Operation System	Windows 10 64Bit、Linux	
Environment	Operating Temperature	0°C~50°C	
	Vibration	Operating, 5 Grms, 5-500 Hz, 3 axis	
	Certification	IP67, CE, FCC Class B	



Ordering Information

Model No.	Product Description
S100-100	Intel x5-E3930 1.8G , 4GB LPDDR4, 64G eMMC, Monochrome 5MP 35fps Global shutter, 1xLAN,1xUSB, 2xDI/DO,1xTrigger,1xRS232,1x24V PWM
S100-200	Intel x7-E3950 2.0G , 4GB LPDDR4, 64G eMMC, Monochrome 5MP 35fps Global shutter, 1xLAN,1xUSB, 2xDI/DO,1xTrigger,1xRS232,1x24V PWM

Packing List

P/N	Description
	1 x S100 Unit
	1 x User Manual
	1 x M12 8P RJ45 male Network Cable
	1 x M12 12P male DP Cable
	1 x M12 17P USB female+13 core Cable
	1 x Certificate of Approval